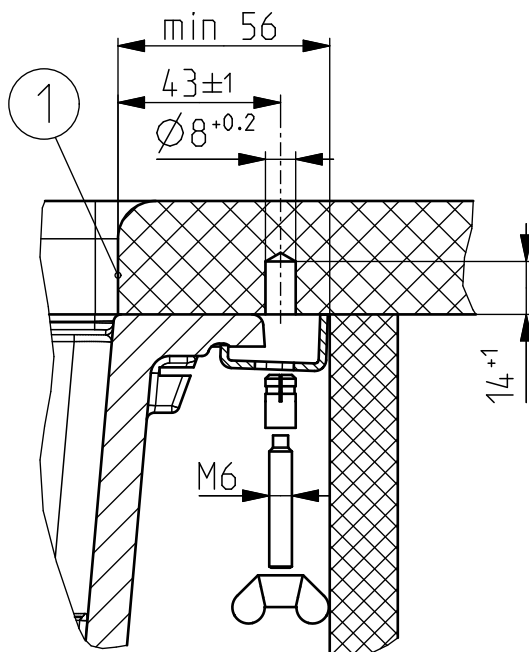


Installation into a cabinet with a mask - use of accessories 2 x 1135533 (not included)
 Vgradnja v omarico z masko - uporaba pribora 2 x 1135533 (ni priložen)



Cut-out ATROX 10 U

Scale: 1:5

Format: A4

30.08.2021

1140891_01

ALVEUS

Subject to modifications. Latest version is on the internet.